

Closed Coupled Water Closet

PRODUCT FEATURES

- Closed coupled low capacity dual flushing system water closet.
- Dual flush system to allow option for appropriate water usage
- Chrome plated push type button
- Universal height
- Fully glazed trap-way

FLUSHING TYPE

- Wash down

PRODUCT SPECIFICATIONS

- Dimension : 650 (L) x 370 (W) x 745 (H) mm
- Material : Vitreous China
- Rough-in : S-trap 150mm
- Water Supply Connection : G ½"
- Minimum Water Pressure : 55kPa
- Seat and Cover : MTC9702A (PP)

DISCHARGE VOLUME

- Full Flush : 4.5 – 6 Litres / flush
- Reduced Flush : 3.0 Litres / flush

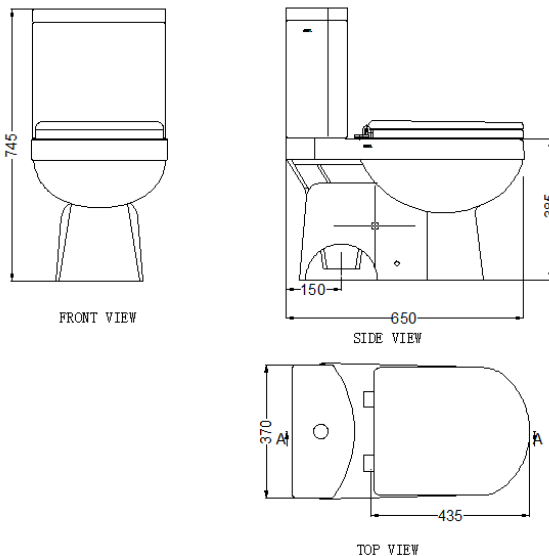


Dual Flush Mechanism



Anti-Bacterial Technology

TECHNICAL DRAWING



INSTALLATION DETAILS

